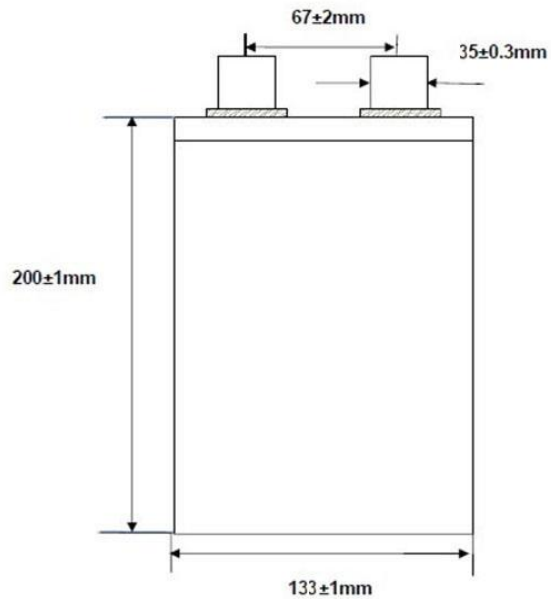


Photo

Drawing


Nominal Capacity		30Ah@0.3C Discharging
Nominal Voltage		3.7V
Internal Resistance		≤0.6mΩ
Charging(CC-CV)	Charging Current	2C continuous / 3C peak
	Charging Upper Limit Voltage	4.2V
Discharging	Discharging Current	5C continuous / 10C peak(10 seconds)
	Discharging Cut-off Voltage	3.0V
Charging Time	Standard Charging	0.5H
	Quick-acting Charging	0.2H
Operation Temperature	Charging	0°C~45°C
	Discharging	-20°C~55°C
Coulombic efficiency	-20°C	85.00%
	0°C	90.00%
	25°C	100.00%
	55°C	113.00%
Cycle life		3,000 cycles after 80% DOD (1C/1C,100%DOD,25°C)
Weight		530g±10g
Size		8.9x133x200mm
Shape		NCM Lithium ion polymer cell

